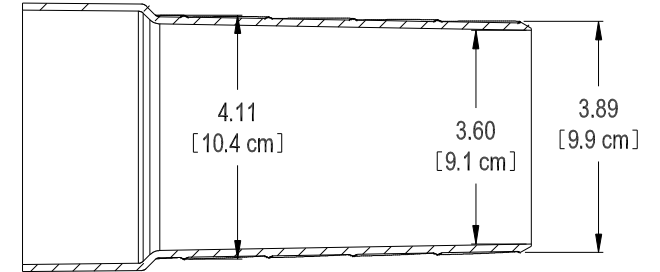
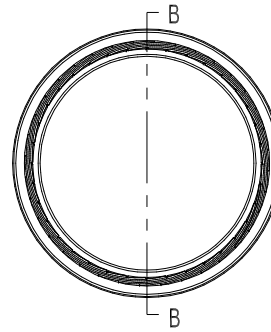
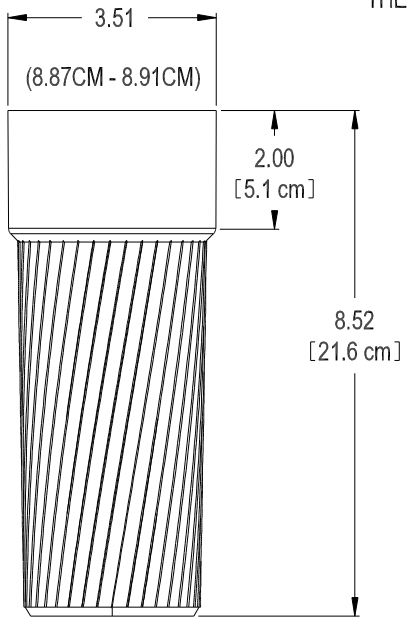


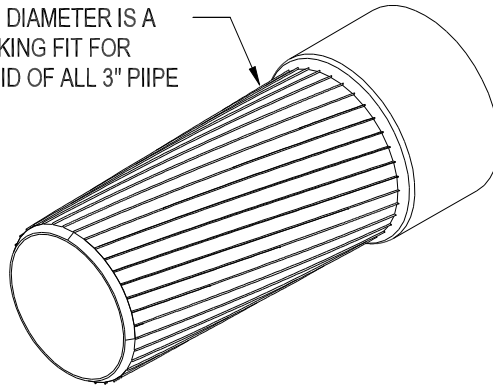
SECTION A-A



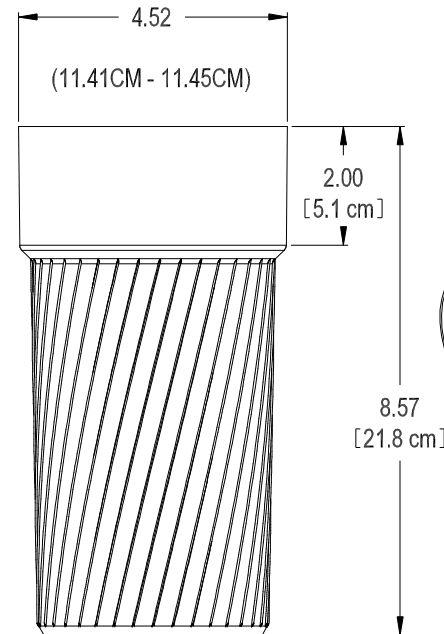
SECTION B-B



THIS DIAMETER IS A
LOCKING FIT FOR
THE ID OF ALL 3" PIPE



3" and 4" EXTEND & LOK SERIES
PART NO. 30131-TL (3")
30130-TL (4")
MATERIAL - PVC



THIS DIAMETER IS A
LOCKING FIT FOR
THE ID OF ALL 4" PIPE
AND 110 MM PIPE

